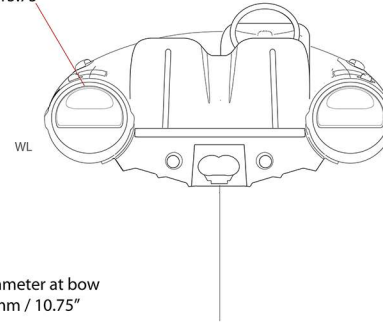
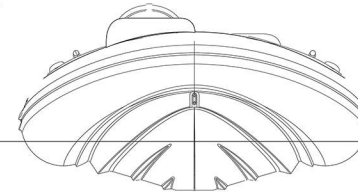
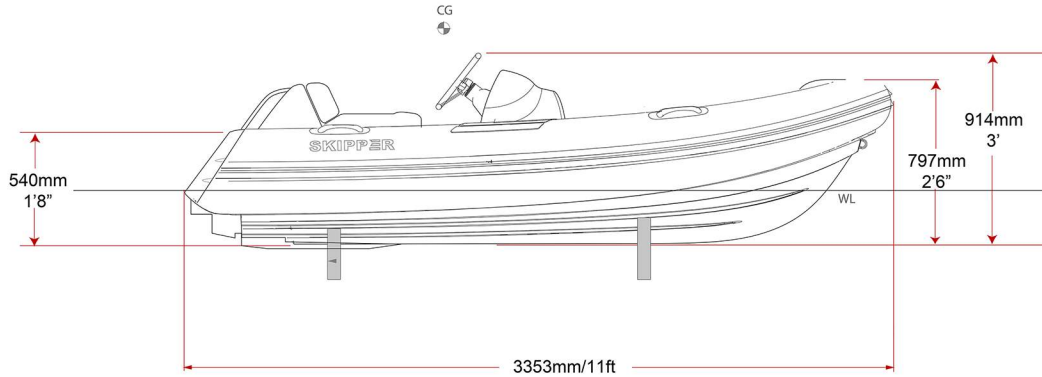


Tube diameter at transom  
400mm / 15.75"



Tube diameter at bow  
273mm / 10.75"



### Skipper 11 Specifications

Overall Length	11' / 3.35m
Overall Beam	5'4" / 1.63m
Deadrise	17 degree
Inside Length	7'1" / 2.59m
Inside Beam	2'8" / 0.82m
Tube Diameter	15.75" / 0.40m
No of Air Chambers	3
Person Capacity	5
Weight (Dry) est.	410 lbs (185 kg)
Weight (Wet) est.	650 lbs (294 kg)
Max Weight Capacity	1350 lbs (612kg)
Fuel Capacity	10 Gal (38 Lit)
Engine	ROTAX 900 ACE
Intake	Naturally aspirated
Fuel type	87 octane

### Sport Tenders Int'l LLC

2000 South Federal Highway  
Fort Lauderdale, FL 33316  
Showroom: 954-888-8877  
Fax: 954-467-8822  
www.SkipperTenders.com